

# FESTIVAL

STYLISH COAT STAND

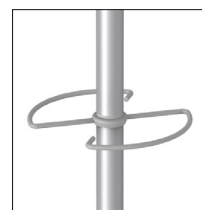
The Festival coat rack is the essential accessory for your office, lobby or reception room



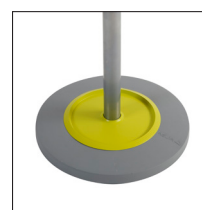
5 large wooden pegs for a perfect care of the clothes



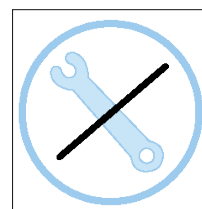
Smart umbrella stand (6)



Weighted base for extra stability (5kg) + water retainer



Quick and easy assembly system without tools (5min)



Compact packaging to reduce the environmental impact



Thanks to the Festival, you can hang your coats, jackets and scarves without wrinkling them and put your umbrellas in one place. This modern coat stand consists of a head with 5 wooden pegs, an umbrella stand and a weighted metal base with a water retainer.



Modern and innovative design for this coat stand that will fit perfectly into all your work and reception areas.

# FESTIVAL

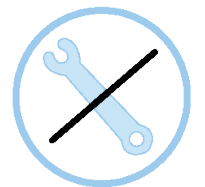
STYLISH COAT STAND

CLOSE <sup>2</sup>  
CLOTHES

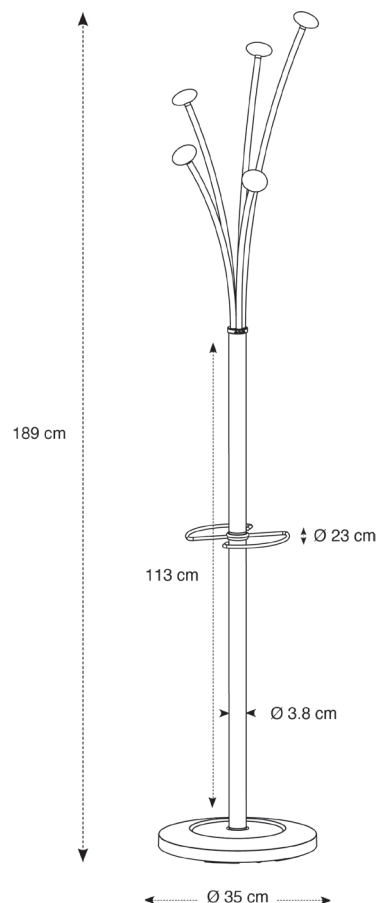
The Festival coat rack is the essential accessory for your office, lobby or reception room

PRODUCT FEATURES	
Reference	PMFESTY2 V
EAN	3129710013258
Materials	Drum : Epoxy painted steel
	Pegs : ABS
	Base cover : ABS
Color	Silver grey - Green
Product dimensions	Height : 187 cm
	Drum : Ø 3.8 cm
	Base : Ø 35.5 cm
Weight : 7.5 kg	
Number of pegs	5
Capacity of umbrellas	6
Base	Weighted - 5 kg
Estimated assembly time	5 minutes - Without tools or screws
Origin	French design and development - Manufacturing in PRC
Guarantee	2 years

PACKAGING DIMENSIONS	
* Sales unit (x1SU) Box	Dim. : L. 77.5 cm x W. 38 cm x H. 10.2 cm
	Weight : 8 kg
* Box master (x1SU)	Dim. : L. 77.5 cm x W. 38 cm x H. 10.2 cm
	Weight : 8 kg



## EXISTING DESIGN :



Quand le beau rejoint l'utile